

## Quickboard ATQ-350-BNC

Modular installation housings according to DIN 43880 with breadboard for quick assembly of experimental or sample circuits. sample circuits.

### Advantage of the ATQ series

- Housing, terminal connections and printed circuit board fit optimally together
- professional appearance
- quality and universal applicability

### Features

- DIN rail housing 35mm wide
- BNC socket (50R / 75R) on both sides
- breadboard area: 9x21 with pitch 2,54mm
- outer dimensions 35x86x58mm

### Technical data

Printed circuit board	Grid dimension 2.54 mm FR4 (epoxy) with solder resist hole 1 mm plated through 35µ copper plating
BNC connection	2x socket, either 50R or 75R
Housing	Top-hat rail housing Snap-on according to DIN 50 022 Self-extinguishing according to UL94
Colour	Case = Grey Back = Black
Wide	35mm
Storage temperature	-20 to +90°C
Protection class	IP20

### Variants

#### 50 Ohm

Impedance	50 Ohm
Contact material	Phosphor-Bronze
Contact cover	Gold
Frequency max.	4 GHz
VSWR	1,3
Voltage max.	500V
Mechanism	Bayonet

#### 75 Ohm

Impedance	75 Ohm
Contact material	Phosphor-Bronze
Contact cover	Gold
Frequency max.	2,6 GHz
VSWR	1,05
Voltage max.	500V
Mechanism	Bayonet



ATQ-350-BNC



ATQ Housing

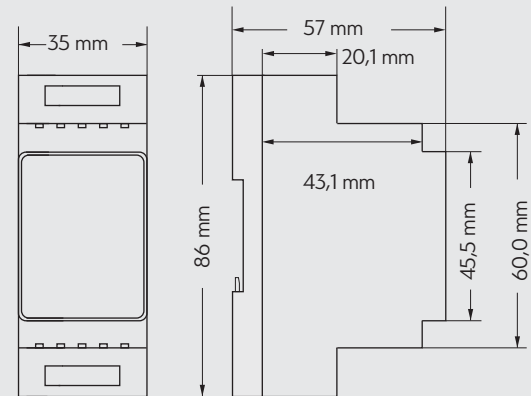
## Quickboard ATQ-350-BNC

### Delivery and order numbers

- Housing upper and lower part, screw connection
- Printed circuit board with BNC sockets
- Manual in German

Type	Order number
ATQ350_BNC50	409050
ATQ350_BNC75	409075

ATQ Dimensioned drawing



### ATQ-350-BNC (picture without housing)

- BNC sockets on both sides
- External dimensions (35 x 86 x 58) mm
- Hole grid area 9 x 21 rows of holes

