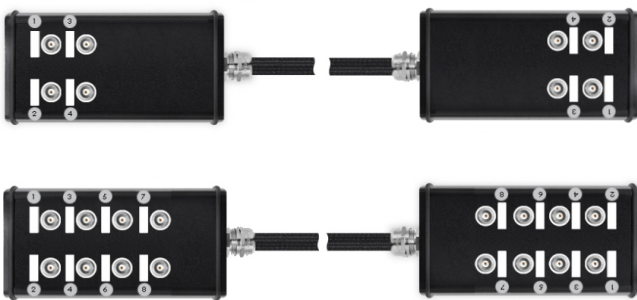


Breakout box BNC to BNC

Short Description:

Our connection box to connection box equipped with BNC to BNC connector combines all the advantages of the breakout box when distributing measurement signals. The firmly interconnected signal boxes allow the simple connection of many measuring sensors with distant measuring equipment. With the labeling of the individual boxes, the assignment among each other is very easy. In addition, each individual socket is insulated up to the housing and shielded throughout.

The number of sockets and the length of the cable between them are available in different versions and can also be designed individually according to customer requirements.



Features:

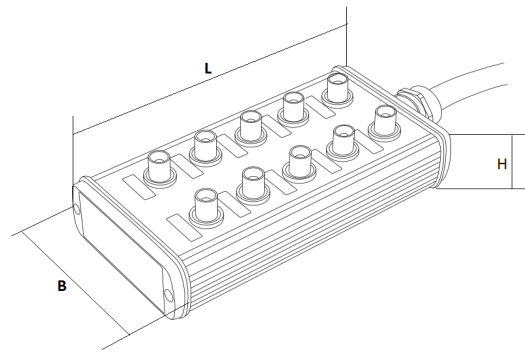
- Isolated BNC sockets
- 4, 8, 12 or customer specific number of connectors possible
- Customer specific labeling possible on request

Advantages:

- measuring signals are forwarded by simply reconnecting the measuring device
- several measuring points are monitored at low cost
- Interference (e.g. due to external radiation) is minimized by shielding the connections, cables and the housing

Technical data:

Material housing box:	Aluminium
Housing colour:	black anodized
Dimensions:	see fig. drawing



Quantity Connections	Dimension		
	x	y	z
4x	150 mm	80 mm	30 mm
8x			
12x	250 mm		



Accessories:

Available separately on request!



Mounting carrier plate



Brackets for screwing on